

TABLE OF CONTENTS			TABLE OF CONTENTS		
PAGE	SECT	DESCRIPTION OF CONTENTS	PAGE	SECT	DESCRIPTION OF CONTENTS
01	C5-D2	Table Of Contents Block			
01	A5-B2	Revision Control Block and Instructions			
01	A1	Title Block			
01	A1-B1	Certification Engineering Result Block			
01	B1-D1	Company Logo and Document Control Information			

This design and all information contained herein is the proprietary property of Detachment 3 Engineering. In no event shall this information be disclosed to any third party without prior written approval of an officer of Detachment 3 Engineering under proper non-disclosure terms. Duplication of this document is strictly prohibited, except for internal purposes.

DOCUMENT CONTROL INFORMATION

DCID BARCODE GOES HERE

DISTRIBUTION SCOPE

I: ENGINEERING III: MFG / TEST / SERVICE
 II: CERT / QUAL IV: PUBLIC

DCSCOPE

ORIGINAL ARCHIVE COPY RELEASED
 REF COPY INTERIM DRAFT
 DIST COPY PROCESS OBSOLETE

DCCLASS

ADDITIONAL NOTES

DCNOTES PARAGRAPH GOES HERE

DCNOTES

DESIGN REVISION DATA

REV	BRIEF DESCRIPTION OF REVISION	DATE OF REV	CHANGED BY	CHECKED	APPROVED
PO	Initial Prototype Design				

CERT ENGINEERING INFORMATION

US / CANADA ASIA / PACIFIC
 SOUTH AMERICA EUROPE

CEGEOG

FCC CSA C-Tick
 UL TUV CB
 CE VCCI

CEPASS

CLASS B DIG RADIO RX
 DIGITAL RADIO TX

FCC ID: _____

CEFCC1

BRIEF REVISION INSTRUCTIONS

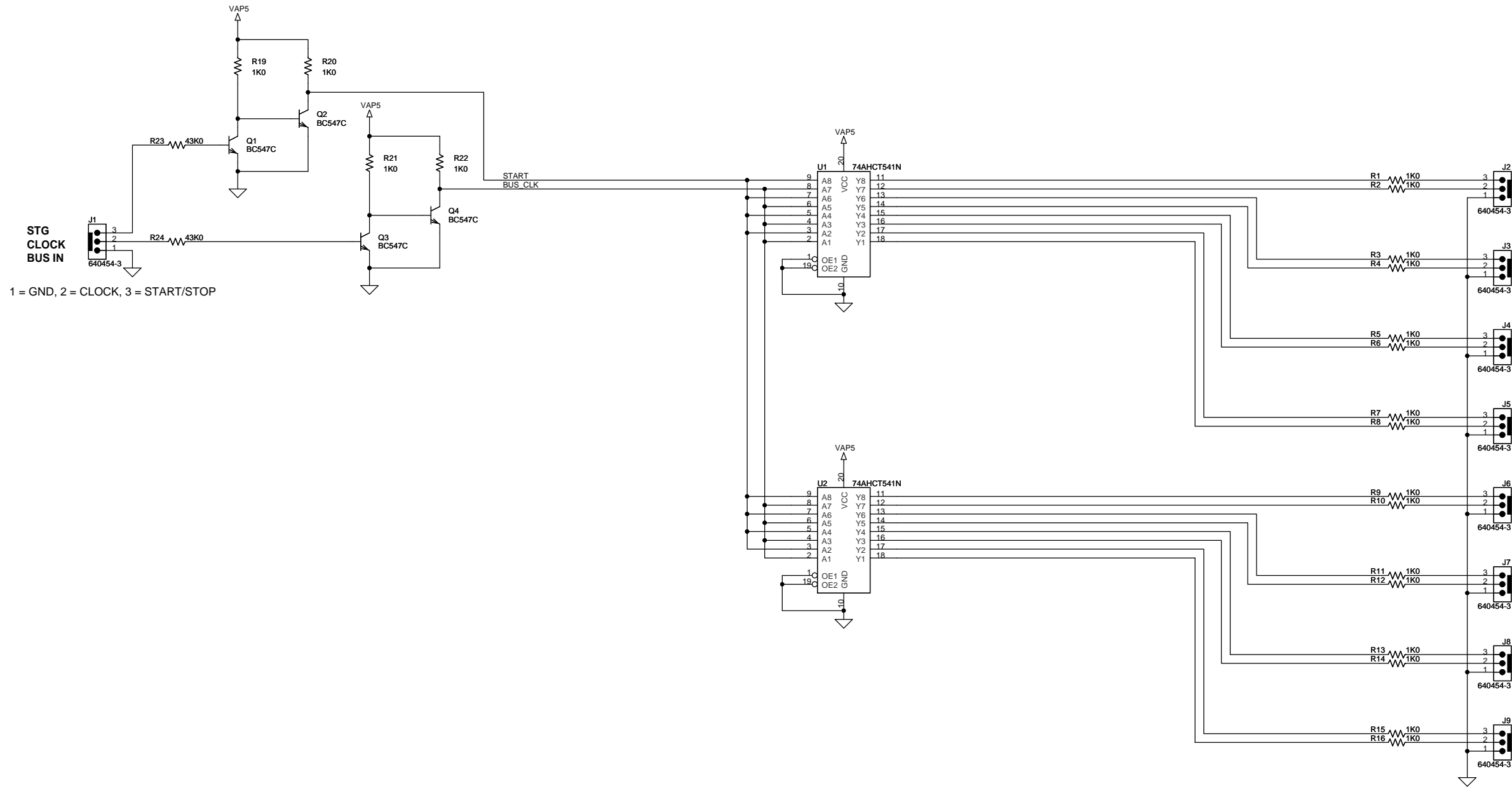
REV: Design Revision Level. Refer to Rigel EOPs for specifics. **DATE OF REV:** The date the changes were committed in MM.DD.YY format.
BRIEF DESC OF REV: A brief, one line description of the revision or changes made. **CHANGED BY:** Designer, Engineer, or other person who made or committed the revision change.
Full change information goes in the CHANGELOG. **CHECKED:** Designer or Engineer that checked the design change for errors.
APPROVED: Manager or department head that approved the checked design and/or change.

Project: <Title>


Sheet Description: **TITLE PAGE AND REVISION BLOCK**

Engineer:	Status:
Checker:	Approved:
Dwg Num: <Doc>	Revision: <RevCode>
Date: Saturday, March 22, 2008	Sheet: <Page Number> / Of: <Page Count>

CONFIDENTIAL



1 = GND, 2 = CLOCK, 3 = START/STOP



DETACHMENT THREE ENGINEERING
 7384 Union Creek Way, #12E Midvale, UT 84047
<http://www.det3.net/>

This design and all information contained herein is the proprietary property of Rigel Professional Audio Systems. In no event shall this information be disclosed to any third party without prior written approval of an officer of Rigel Professional Audio Systems under proper non-disclosure terms. Duplication of this document is strictly prohibited, except for internal purposes.

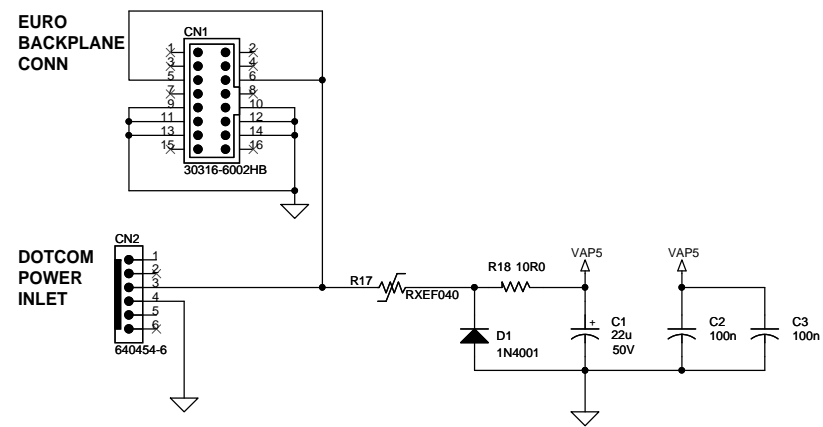
PROPRIETARY AND CONFIDENTIAL


Project: **<Title>**

Sheet Description:

Dwg Num: <Doc>	Revision: <RevCode>	Size:
Engineer:	Date: Saturday, March 22, 2008	Sheet: C Of: 1

<Page Number> Page Count





DETACHMENT THREE ENGINEERING
 7384 Union Creek Way, #12E Midvale, UT 84047
<http://www.det3.net/>

This design and all information contained herein is the proprietary property of Rigel Professional Audio Systems. In no event shall this information be disclosed to any third party without prior written approval of an officer of Rigel Professional Audio Systems under proper non-disclosure terms. Duplication of this document is strictly prohibited, except for internal purposes.

PROPRIETARY AND CONFIDENTIAL

Project: **<Title>**

Sheet Description:

Dwg Num: <Doc>	Revision: <RevCode>	Size:
Engineer:	Date: Saturday, March 22, 2008	Sheet: C Of: 1